

# TavBolt



**TavBolt is classified  
as high security seal.  
It is compliant to  
ISO 17712:2013  
ideal for freight containers**

#### Pin Diameter

with ABS coat 10 mm  
inside metal pin 8mm

#### Pin Head Diameter

with ABS coat 23.5mm  
inside metal head 18.0 mm

#### Print Area on barrel

28 x 15 mm

#### Tensile Strength

20 kN (2039 Kg)

#### Packing

200 pcs/carton

#### Carton Size

450 x 330 x 140 mm (0.02 CBM)

#### Carton Weight

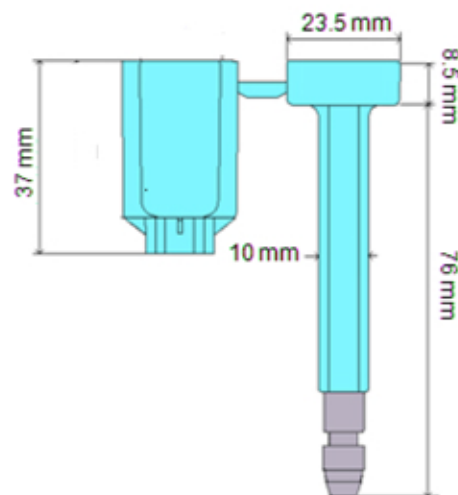
15.4 kg

#### Application

- Shipping containers
- Cargo containers
- Truck doors

#### Features

- Material: steel with high impact ABS coating which provides clear tamper evidence.
- NON-SPIN design enhances security.
- Bolt pin and barrel are connected.
- Standard colors:  
pastel yellow, pastel blue, pastel green
- Can laser print customized company name and serial numbers.



*MasterSeal Corporation*

#### Address

60 Doña Aurora St.  
Parang, Marikina

#### Contact

(02) 8661 6753  
(02) 8255 9085

#### E-mail

masterseal.sales@gmail.com